

Comfort, efficiency and economy.
Floor-by-floor or zone-by-zone.

SKYPEAK MODULAR SELF-CONTAINED SERIES




SKYPEAK

OFFICE-SPACE | COMMERCIAL | INSTITUTIONAL

Water-Cooled Self-Contained Modular Units: C-Series 25-90 Tons

For new construction or replacement applications with limited space, access issues, or capacity limitations, the **C-Series Water-Cooled Self-Contained Modular Units** can minimize complications encountered during installation. Designed to fit through a standard commercial doorway or hallway, each individual section does not exceed 34-inch width and 80-inch height.

- **Highly Efficient** – Floor-by-floor independent metering/temperature control designed to meet high DOE minimum efficiency requirements. Ready with new industry low GWP non-toxic R-454B refrigerant and certified to new UL-60335 standard.
- **Easy Installation** – Unit ships in sections that allow for ease in moving through tight spaces, and supports refrigerant and electrical quick connects for simplified field assembly. Each individual section does not exceed 34-inch width and 80-inch height.
- **Design Flexibility** – Available in various configurations to fit all kinds of field requirements; left/right hand configuration, fan modules, integrated economizer, variable speed and fixed speed compressors, and many more.
- **Heavy Duty** – Heavy gauge galvanized steel unit casings; cabinet interior lined with ½-inch thick, 2-lb. density, acoustic insulation. Double wall construction standard on all units.
- **Controller** – Microprocessor control with integrated Building Automated System (BAS) connectivity to BACnet or Modbus. Comes standard with webpage diagnostics for easy start-up and troubleshooting.

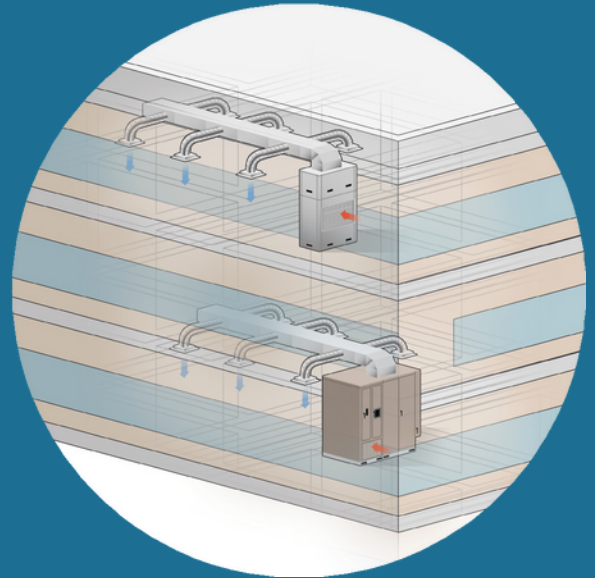


Seamless Controls

Skypeak Water-Cooled Modular Series units feature factory-installed Microprocessor controller. Unit status, settings page, and fault codes are accessible through embedded controls webpage using a mobile phone, tablet or laptop. On-board controls feature real-time status updates, multi-point data logging for diagnostics and troubleshooting, and a parameter configuration screen. Minimize downtime by accessing the logged data screen to access all key parameters. The controller maximizes control for greater efficiency, extended equipment life and reduced operating costs. Plus, BAS connectivity is included for BACnet, Modbus or LonWorks.

Total Packaged Solution

Skypeak offers the perfect combination of high quality equipment with highly capable controls. Controls solutions can be custom tailored for various input or output field alarm requirements to meet the demands of most applications. Units come factory programmed for Discrete Speed EC Fan control to more complex Single or Multi Zone Variable Air Volume (VAV) systems.

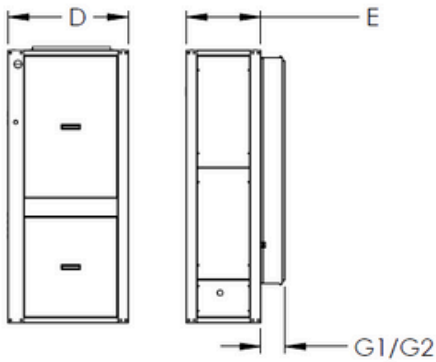


Dimensional Data

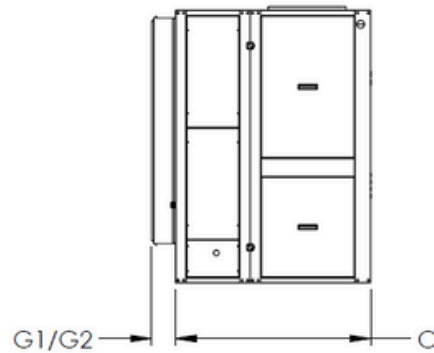
Module	Tons	A ¹	B ²	C	D	E	G1 ³	G2 ⁴
Single Module	25	67.5	68	55.5	34.5	21.5	2.8 (4.8)	4.8 (6.8)
	30	67.5	78	55.5	34.5	21.5	2.8 (4.8)	4.8 (6.8)
	35	78.5	78	55.5	34.5	21.5	2.8 (4.8)	4.8 (6.8)
	40	78.5	80	55.5	34.5	21.5	2.8 (4.8)	4.8 (6.8)
	45	78.5	80	55.5	34.5	21.5	2.8 (4.8)	4.8 (6.8)
Dual Module	50	133.5	68	55.5	34.5	21.5	2.8 (4.8)	4.8 (6.8)
	60	133.5	78	55.5	34.5	21.5	2.8 (4.8)	4.8 (6.8)
	70	155.5	78	55.5	34.5	21.5	2.8 (4.8)	4.8 (6.8)
	80	155.5	80	55.5	34.5	21.5	2.8 (4.8)	4.8 (6.8)
	90	155.5	80	55.5	34.5	21.5	2.8 (4.8)	4.8 (6.8)

Notes:

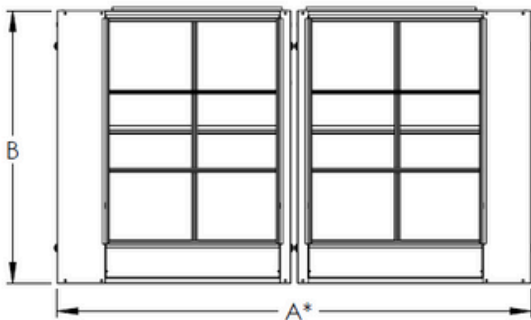
- 1) Accounts for hardware
- 2) Extra 3" removable bottom rail is not shown in the drawing
- 3) Includes 2" filter (with added 2" pre-filter)
- 4) Includes 4" filter (with added 2" pre-filter)



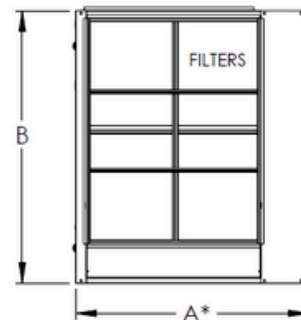
**SINGLE/DUAL MODULE ASSEMBLY
(RIGHT SIDE VIEW)**



**SINGLE/DUAL MODULE ASSEMBLY
(LEFT SIDE VIEW)**



**DUAL MODULE ASSEMBLY
(REAR VIEW)**



**SINGLE MODULE ASSEMBLY
(REAR VIEW)**

Air Conditioning Simplified

Mechanical Adaptability. Architectural Flexibility. Individualized Control. Retro-Fit. Energy Savings. Easy Installation. Reduced Floor Space. Excellent Indoor Air Quality. Quiet Operation. The Modular Series from SKYPEAK is the perfect fit for any application.

For more information on **Commercial Self-Contained Series**, call your sales representative or visit www.skypeakproducts.com

SKYPEAK COMMERCIAL SELF-CONTAINED SERIES



SKYPEAK



BACnet® is a registered trademark of American Society of Heating, Refrigeration and Air-Conditioning Engineers (ASHRAE).
Document SKY-SCSM-BCH-2409